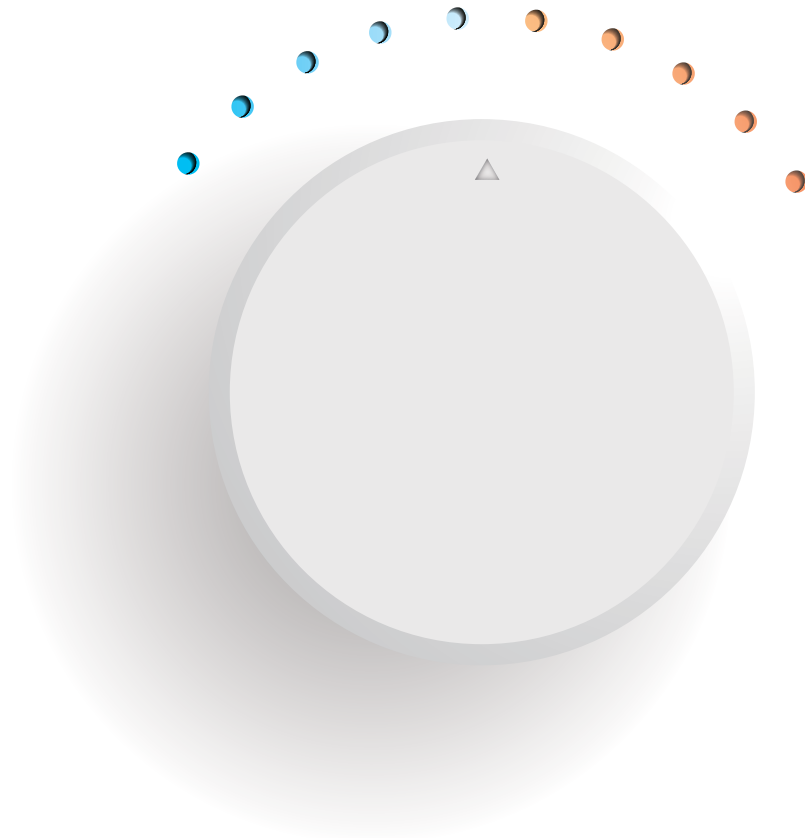


Smart Power

Ducted and Cassette

DC Inverter Air Conditioning Split Systems



Haier

Product Brochure



Contents

| | |
|-----------------------------------|----|
| Ducted air conditioning system | 4 |
| Smart Power outdoor | 6 |
| High static ducted | 8 |
| High static ducted specifications | 10 |
| Low profile ducted | 12 |
| Low profile ducted specifications | 14 |
| Round way cassette | 16 |
| Round way cassette specifications | 18 |
| Controls | 20 |
| Outdoor unit drawings | 22 |
| Indoor unit drawings | 24 |
| Haier brand story | 26 |



DUCTED AIR CONDITIONING SYSTEM

Smart Power

Haier's Smart Power ducted air conditioning systems provide an effective whole-of-home heating and cooling solution. Also suitable for commercial spaces, the system is made up of:

- an outdoor unit in a suitable location
- an indoor unit, often located out of view in the ceiling
- flexible ductwork to deliver airflow to multiple rooms through discreet vents
- a controller that is used to control the whole air conditioning system.

To suit all kinds of installation requirements, we offer three types of indoor unit:

- High static ducted
- Low profile ducted
- Round way cassette.



Zone control

For control over the airflow to individual rooms, Haier offers an optional SmartZone controller.

With up to eight controllable zones, SmartZone lets you turn the airflow on or off to rooms depending on how they are used, minimising unnecessary heating or cooling for improved efficiency.



With SmartZone installed, air conditioning is switched on for only the three occupied rooms.



SMART POWER OUTDOOR

With a 180° sine wave DC inverter, the Smart Power outdoor unit is designed for quiet and efficient operation, paired with an indoor unit to suit the installation.

FEATURES AND BENEFITS

Wi-Fi connectivity

It is simple to make the Haier Smart Power System Wi-Fi compatible. Purchase the additional accessory (HI-WB101DEI) and connect it to the indoor unit and your internet via your Wi-Fi router. Then you can control your Haier system wherever you are by smart phone or tablet.

Download the Haier SmartHQ™ app, free from Apple® or on Google Play.



Corrosion protection

Haier evaporators have a Blue Fin coating that protects the unit, with strong corrosion resistance and super hydrophilic performance.



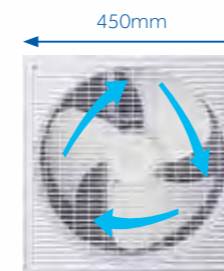
R32 lower-impact refrigerant

Our air conditioning systems use a next-generation R32 refrigerant, which efficiently carries heat and has a lower environmental impact than R410A.

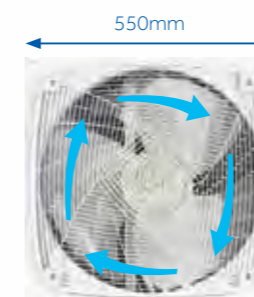


Large fans, low sound level

Quieter operation is achieved by our industry-leading 550mm fan and a unique outlet grille that offers less resistance to airflow.



Competitor Fan Grille



Haier Fan Grille

Handles for easier transport

Each outdoor unit is designed with four handles, allowing two people to carry it.



Apple® and Apple logo® are trademarks of Apple Inc.
Google Play and the Google Play logo are trademarks of Google LLC.



HIGH STATIC DUCTED

The Smart Power high static ducted indoor unit delivers powerful heating and cooling to every room, installed hidden in the ceiling cavity or under the floor for an uninterrupted interior.

Wi-Fi compatible with the optional accessory (HI-WB101DEI).

FEATURES AND BENEFITS

Serviceability

Top, bottom or side panels are removable for servicing and installation (10.5–16kW).



10-step ESP adjustment

External static pressure (ESP) can be adjusted using the controllers, YR-E17A or YR-E16B. No need to open the electrical box and adjust by switch or plug, reducing installation time.



Backup drain tray

High static indoor units are designed to incorporate two drain trays for condensate removal. The secondary tray is a backup in case the first one overflows due to a blockage.



Two-piece design

For easier installation, the 18 and 20kW indoor units can be separated into two manageable pieces. The single unit can then be reassembled in the ceiling.



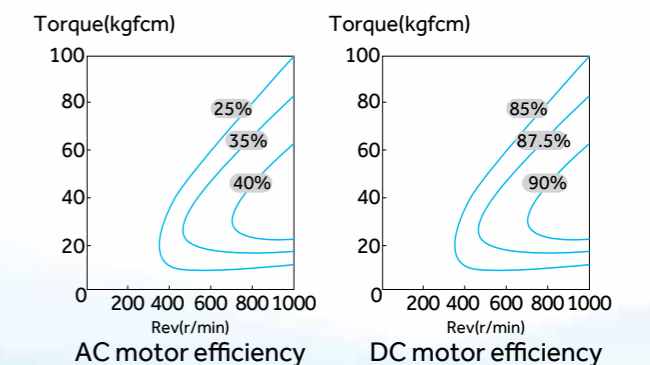
Compact dimensions

The high static indoor unit (10–15.5kW models) has a compact chassis, designed to fit in small ceiling spaces and between standard roof truss spacings of 600mm.



DC fan motor

DC fan motors are renowned for using less energy than a standard AC motor. They are also highly adjustable for better airflow and static pressure tuning.



HIGH STATIC DUCTED SPECIFICATIONS



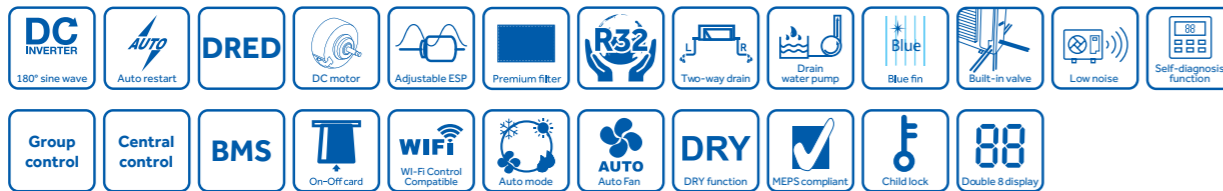
Outdoor unit
1U100S2SN5FA
1U125S2SN5FA



Outdoor unit
1U140S2SP5FA
1U160S2SP5FA
1U180S2SP5FA



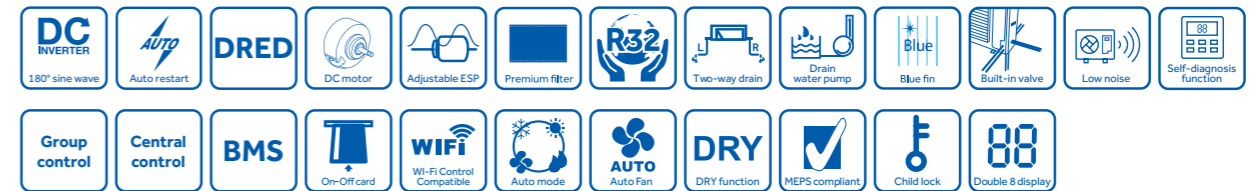
Indoor unit
AD100S2SH5FA
AD125S2SH5FA
AD140S2SH5FA
AD160S2SH5FA



Outdoor unit
1U200H1ERK



Indoor unit
ADH200H1ERG
AD180S2SH5FA



| Model | | | AD100HN5FA-SET | | AD125HP5FA-SET | | AD125HN5FA-SET | | AD140HP5FA-SET | | AD160HP5FA-SET | |
|--------------------------|----------------------------|----------------------|-------------------|-----------------|-----------------|------------------|------------------|-----------------|----------------|--------------|----------------|--------------|
| | | | Indoor unit | AD100S2SH5FA | AD125S2SH5FA | AD125S2SH5FA | AD140S2SH5FA | AD160S2SH5FA | Outdoor unit | 1U100S2SN5FA | 1U125S2SN5FA | 1U125S2SP5FA |
| Nominal performance data | Rated capacity | Cooling | kW | 10.0 (2.5-11.0) | 12.5 (4.0-14.0) | 12.5 (3.5-14.5) | 14.0 (3.5-15.0) | 15.5 (3.5-17.5) | | | | |
| | | Heating | kW | 11.5 (2.5-12.0) | 14.0 (4.1-15.0) | 14.0 (4.0-16.5) | 16.0 (6.0-18.0) | 18.0 (6.0-19.0) | | | | |
| | Rated power input | Cooling | kW | 3.12 (0.5-5.3) | 3.89 (0.5-5.3) | 3.68 (1.0-5.8) | 4.43 (2.0-6.8) | 4.83 (2.0-7.0) | | | | |
| | | Heating | kW | 3.19 (0.5-5.3) | 3.73 (0.5-5.3) | 3.68 (1.0-5.8) | 4.57 (2.0-6.5) | 4.80 (2.0-7.0) | | | | |
| | EER / COP | | w/w | 3.21 / 3.61 | 3.21 / 3.75 | 3.40 / 3.80 | 3.16 / 3.50 | 3.21 / 3.75 | | | | |
| | AEER / ACOP | | w/w | 3.17 / 3.57 | 3.19 / 3.72 | 3.37 / 3.77 | 3.14 / 3.48 | 3.19 / 3.72 | | | | |
| Indoor Unit | | | | | | | | | | | | |
| Electrical | Power Input | Watt | 540 | | | 550 | | | 600 | | | |
| Performance | Air flow | l/s | 800/665/525/385 | 905/765/625/490 | 905/765/625/490 | 1000/865/725/585 | 1115/945/780/615 | | | | | |
| | ESP | pa | 37-210 | | | | | | | | | |
| | Sound pressure level | (H/M/L) dB(A) | 45/41/37/33 | 47/44/42/39 | 47/44/42/39 | 49/46/43/40 | 51/47/44/40 | | | | | |
| Installation | External dimensions | (WxDxH) mm | 1350x490x425 | | | | | | | | | |
| | Net/Shipping weight | kg | 59 / 70 | | | 61 / 72 | | | | | | |
| | Supply Air connection | (WxH) mm | 1045 x 307 | | | | | | | | | |
| Controls | Wired Controller | Optional - Touch | YR-E17A | | | | | | | | | |
| | Wireless Controller | Optional - Timeclock | YR-E16B | | | | | | | | | |
| Outdoor Unit | Wired Controller | Optional | RE02&YR-HBS01 | | | | | | | | | |
| | Wi-Fi | Optional | HI-WB101DEI | | | | | | | | | |
| Electrical Parameters | Power supply | Ph/V/Hz | 1/220-240/50 | | | | | | | | | |
| | | Rated Current | Amps | 13.6 | 17.26 | 16 | 19.3 | 21 | | | | |
| | Maximum Current | Cooling | Amps | 13.9 | 16.56 | 16 | 19.9 | 20.9 | | | | |
| | | Heating | Amps | 23.2 | 23.2 | 26.0 | 30.0 | 31.0 | | | | |
| | MCA | Amps | 32.0 | | | | | | | | | |
| | Performance | Air flow (H) | m ³ /h | 4000 | 4500 | 6500 | 7000 | 7500 | | | | |
| Sound power level | | dB(A) | 68 | 75 | 69 | 70 | 73 | | | | | |
| Sound pressure level | | dB(A) | 52 | 58 | 52 | 53 | 56 | | | | | |
| Installation | External dimension | (WxDxH) mm | 950x370x965 | | | 950x370x1350 | | | | | | |
| | Net/Shipping weight | kg | 82 / 94 | 74/85 | 105 / 118 | | | | | | | |
| | Compressor type | | twin rotary | | | | | | | | | |
| | Refrigerant type | | R32 | | | | | | | | | |
| | Refrigerant liquid pipe | mm (Inch) | 9.52 (3/8) | | | | | | | | | |
| | Refrigerant gas pipe | mm (Inch) | 15.88 (5/8) | | | 19.05 (3/4) | | | | | | |
| | Max pipe length | m | 50 | | | 75 | | | | | | |
| | Max drop between I.U.&O.U. | m | 30 | | | | | | | | | |
| | Pre-Charge refrigerant | kg | 2.3 | | | 2.9 | | | | | | |
| | Pre-Charge line length | m | 20 | | | 30 | | | | | | |
| Working Temperature | Cooling (Min-Max) | °C | -15 to 50 | | | -10 to 46 | | | -15 to 50 | | | |
| | Heating (Min-Max) | °C | -20 to 24 | | | -15 to 24 | | | -20 to 24 | | | |

Nominal condition: as per AS/NZS3823
Indoor temperature (cooling): 27°C DB / 19°C WB; indoor temperature (heating): 20°C DB
Outdoor temperature (cooling): 35°C DB / 24°C WB; outdoor temperature (heating): 7°C DB / 6°C WB
Rated Load Amps (RLA) is based on nominal conditions. Use Minimum Circuit Amps (MCA) for power supply infrastructure sizing, etc.

| Model | | | AD180HP5FA-SET | | ADH200H1ERK-SET | |
|--------------------------|------------------------------|----------------------|-------------------|-----------------|-------------------|--------------|
| | | | Indoor unit | AD180S2SH5FA | ADH200H1ERG | Outdoor unit |
| Nominal performance data | Rated capacity | Cooling | Kw Nom (Min-Max) | 18.0 (5.3-18.5) | 20.5 (6.2-23.5) | |
| | | Heating | Kw Nom (Min-Max) | 20.0 (6.0-22.0) | 22.8 (7.2-24.8) | |
| | Rated power input | Cooling | Kw Nom (Min-Max) | 5.63 (2.0-7.0) | 6.10 (2.5-8.5) | |
| | | Heating | Kw Nom (Min-Max) | 5.33 (2.0-7.0) | 6.00 (2.5-8.5) | |
| | EER / COP | | w/w | 3.20 / 3.75 | 3.36 / 3.80 | |
| | AEER / ACOP | | w/w | 3.18 / 3.72 | 3.33 / 3.77 | |
| Indoor Unit | | | | | | |
| Electrical | Power input | l/s | 600 | | 800 | |
| Performance | Air flow (H/M/L/LL) | Pa | 1200/1050/890/725 | | 1200/1050/950/850 | |
| | ESP | dB(A) | 40-270 | | 62-300 | |
| | Sound pressure level (H/M/L) | (H/M/L) dB(A) | 54/49/44/39 | | 54/50/45 | |
| Installation | External dimensions (WxDxH) | (WxDxH) mm | 1330x895x500 | | 1330x895x500 | |
| | Weight net/shipping | kg | 94/123 | | 96 / 125 | |
| | Supply air connection | (WxH) mm | 958x377 | | 958 x 377 | |
| | Return air connection | (WxH) mm | 1118x347 | | 1118 x 345 | |
| Controls | Wired controller | Optional - Touch | YR-E17A | | YR-E17 | |
| | Wired controller | Optional - Timeclock | YR-E16B | | YR-E16 | |
| | Wireless controller | Optional - Wireless | RE02&YR-HBS01 | | RE02&YR-HBS01 | |
| | Wi-Fi | optional | HI-WB101DEI | | HI-WB101DEI | |
| Outdoor Unit | | | | | | |
| Electrical Parameters | Power supply | Ph/V/Hz | 1/220-240/50 | | 3/380-415/50 | |
| | | Rated amps | Cooling | 21 | | 10.3 |
| | Maximum amps | Heating | 21.5 | | 10 | |
| | | MCA | Amps | 31.0 | | 15.3 |
| Performance | Air flow (H) | m ³ /h | 7500 | | 10400 | |
| | Sound power level | dB(A) | 73 | | 75 | |
| | Sound pressure level | dB(A) | 56 | | 58 | |
| | External dimensions (WxDxH) | (WxDxH) mm | 950x370x1350 | | 1050x413x1636 | |
| Installation | Weight net/shipping | kg | 104 / 116 | | 160 / 175 | |
| | Compressor type | | twin rotary | | twin rotary | |
| | Refrigerant type | | R32 | | R410A | |
| | Refrigerant liquid pipe | mm | 9.52 (3/8) | | 12.7 (1/2) | |
| | Refrigerant gas pipe | mm | 19.05 (3/4) | | 19.05 (3/4) | |
| | Max pipe length | m | 75 | | 75 | |
| | Max drop between IU & OU | m | 30 | | 50 | |
| | Pre-charge of refrigerant | kg | 3.1 | | 6.35 | |
| | Pre-charged line length | m | 30 | | 30 | |
| | Additional gas charge | g/m | 45 | | 45 | |
| Working Temperature | Cooling (min-max) | °C | -15 to 50 | | -10 to 46 | |
| | Heating (min-max) | °C | -20 to 24 | | -20 to 24 | |

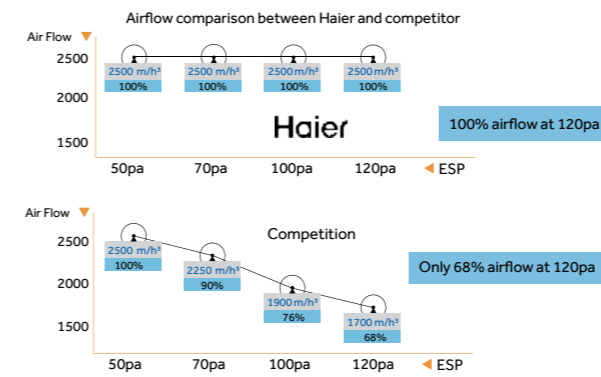
Nominal condition: as per AS/NZS3823
Indoor temperature (cooling): 27°C DB / 19°C WB; indoor temperature (heating): 20°C DB
Outdoor temperature (cooling): 35°C DB / 24°C WB; outdoor temperature (heating): 7°C DB / 6°C WB
Rated Load Amps (RLA) is based on nominal conditions. Use Minimum Circuit Amps (MCA) for power supply infrastructure sizing, etc.



FEATURES AND BENEFITS

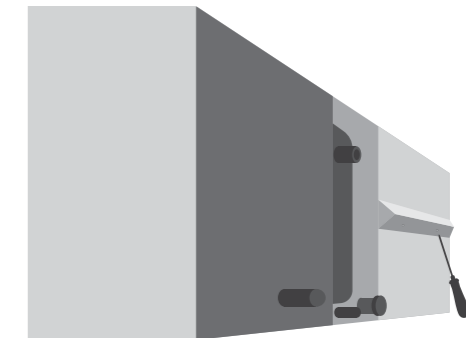
Consistent airflow

The indoor units can contain up to three fans to provide consistent airflow for different ductwork installations. Haier testing has proven no loss of airflow at increased static pressure installations.



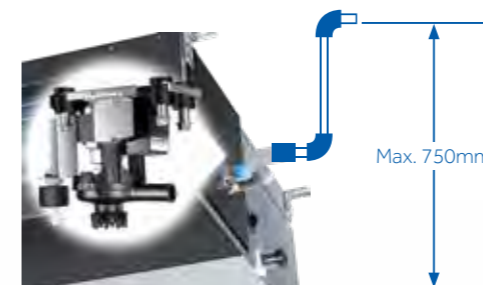
Accessible wiring

A 45° panel allows easy unscrewing for better access to wiring.



High-lift drain pump

Designed with a quality built-in condensate pump that can lift water up to 750mm, for flexible installation.



Return air choices

Clever design allows the rear return air to be easily converted to bottom return air, along with the supplied air filter, to suit the installation.



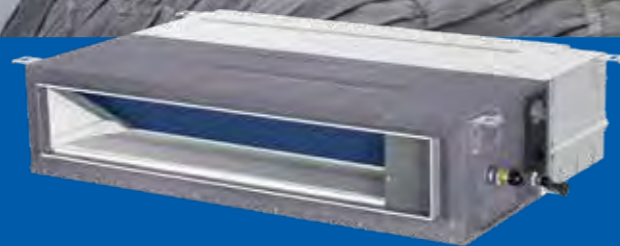
Left or right drain outlet

In addition to the pump drain outlet, two gravity drain connections are provided, one on the left and one on the right.



Super slim

The unit is designed with a super low height of 250mm to fit into shallow spaces where a ducted system would otherwise not be suitable.



LOW PROFILE DUCTED

The Smart Power low profile ducted indoor unit is designed for adaptable installation in shallow spaces, such as between levels in multistorey buildings, for precise temperature control across multiple rooms.

Wi-Fi compatible with the optional accessory (HI-WB101DEI).

LOW PROFILE DUCTED SPECIFICATIONS



Outdoor unit
1U71S2SS5FA



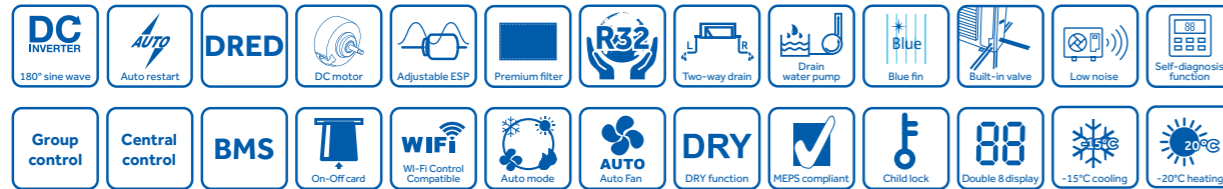
Outdoor unit
1U100S2SN5FA



Indoor unit
AD71S2SM7FA



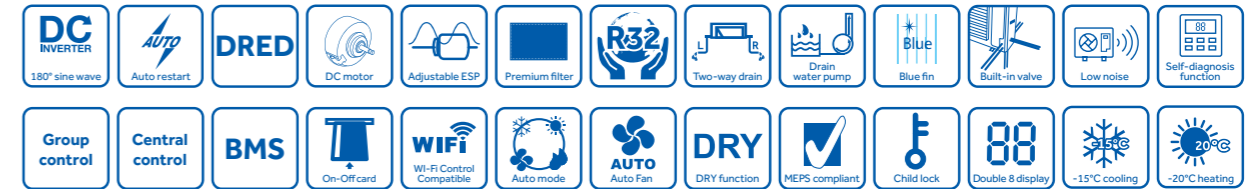
Indoor unit
AD100S2SM7FA



Outdoor unit
1U125S2SP5FA
1U140S2SP5FA



Indoor unit
AD125S2SM7FA
AD140S2SM7FA



| Model | | Indoor unit | | AD71S2SM7FA | | AD100S2SM7FA | |
|--------------------------------------|------------------------------|-------------------|-----------------------|---------------|-----------------------|---------------|--|
| | | Outdoor unit | | 1U71S2SS5FA | | 1U100S2SN5FA | |
| Rated performance data | Nominal capacity | Cooling | kW nom (min-max) | 7.1 (2-8.5) | | 10 (2.5-11) | |
| | | Heating | kW nom (min-max) | 7.8 (2-9.5) | | 10.8 (2.5-12) | |
| | Rated power input | Cooling | kW nom (min-max) | 2.1 (0.4-3.5) | | 3.17 (0.5-5) | |
| | | Heating | kW nom (min-max) | 2.2 (0.4-3.5) | | 3.14 (0.5-5) | |
| | EER | W/W | 3.38 | | 3.15 | | |
| COP | W/W | 3.55 | | 3.44 | | | |
| TCSPF (hot / average / cold climate) | | Residential | 3.964 / 3.609 / 3.631 | | 4.074 / 3.767 / 3.864 | | |
| | | Commercial | 4.209 / 4.151 / 4.359 | | 4.350 / 4.383 / 4.652 | | |
| HSPF (hot / average / cold climate) | | Residential | 3.590 / 3.403 / 3.111 | | 3.690 / 3.397 / 3.019 | | |
| | | Commercial | 3.576 / 3.453 / 3.216 | | 3.681 / 3.496 / 3.191 | | |
| Indoor Unit | | | | | | | |
| Performance | Air flow (H/M/L/LL) | l/s | 402/333/263/194 | | 555/483/383/355 | | |
| | ESP | Pa | 25-150 | | | | |
| | Sound power level (H/M/L) | dB(A) | 58 | | 60 | | |
| | Sound pressure level (H/M/L) | dB(A) | 42/38/35 | | 44/40/37 | | |
| Installation | External dimensions (W/D/H) | mm | 1100 x 700 x 248 | | 1500 x 700 x 248 | | |
| | Weight net/shipping | kg | 38/44 | | 52/62 | | |
| | Supply air connection | mm | 992 x 165 | | 1392 x 165 | | |
| | Return air connection | mm | 978 x 238 | | 1378 x 238 | | |
| Controller | Wired controller | Optional | YR-E17A | | | | |
| | Wired controller | Optional | YR-E16 | | | | |
| | Wireless controller | Optional | RE02 & YR-HBS01 | | | | |
| | Wi-Fi | Optional | HI-WB101DEI | | | | |
| Outdoor Unit | | | | | | | |
| Electrical | Power supply | Ph/V/Hz | 1/220-240/50 | | | | |
| | Rated current | Cooling | Amps | 8.8 | 13.6 | | |
| | | Heating | Amps | 9.2 | 13.6 | | |
| Maximum current | Amps | 17.5 | | 21 | | | |
| Performance | Air flow (H) | m ³ /h | 3200 | | 4000 | | |
| | | l/s | 885 | | 1110 | | |
| | Sound power level | dB(A) | 64 | | 68 | | |
| | Sound pressure level | dB(A) | 47 | | 52 | | |
| Installation | External dimensions (WxDxH) | mm | 920 x 372 x 760 | | 950 x 370 x 965 | | |
| | Weight net/shipping | kg | 60/65 | | 82/94 | | |
| | Compressor type | | Twin rotary | | | | |
| | Refrigerant type | | R32 | | | | |
| | Refrigerant liquid pipe | mm | 9.52 | | | | |
| | Refrigerant gas pipe | mm | 15.88 | | | | |
| | Max pipe length | m | 50 | | | | |
| | Max drop between IU & OU | m | 30 | | | | |
| | Pre-charge of refrigerant | kg | 2.5 | | | | |
| | Pre-charged line length | m | 20 | | | | |
| Additional gas charge | g/m | 45 | | | | | |
| Working temperature | Cooling (min-max) | °C | -15 to 50 | | | | |
| | Heating (min-max) | °C | -20 to 24 | | | | |

Nominal condition: as per AS/NZS3823.2
Indoor temperature (cooling): 27°C DB / 19°C WB; indoor temperature (heating): 20°C DB
Outdoor temperature (cooling): 35°C DB / 24°C WB; outdoor temperature (heating): 7°C DB / 6°C WB

| Model | | Indoor unit | | AD125S2SM7FA | | AD140S2SM7FA | |
|--------------------------------------|------------------------------|-------------------|-----------------------|---------------|-----------------------|--------------|--|
| | | Outdoor unit | | 1U125S2SP5FA | | 1U140S2SP5FA | |
| Rated performance data | Nominal capacity | Cooling | kW nom (min-max) | 12.0 (3.5-14) | | 13 (3.5-15) | |
| | | Heating | kW nom (min-max) | 14 (4-16) | | 15 (4-18) | |
| | Rated power input | Cooling | kW nom (min-max) | 3.77 (1-5.8) | | 4.11 (1-6.8) | |
| | | Heating | kW nom (min-max) | 4.01 (1-5.8) | | 4.29 (1-6.5) | |
| | EER | W/W | 3.18 | | 3.16 | | |
| COP | W/W | 3.49 | | 3.50 | | | |
| TCSPF (hot / average / cold climate) | | Residential | 3.947 / 3.678 / 3.760 | | 4.134 / 3.858 / 3.977 | | |
| | | Commercial | 4.190 / 4.201 / 4.445 | | 4.410 / 4.465 / 4.749 | | |
| HSPF (hot / average / cold climate) | | Residential | 3.594 / 3.306 / 2.938 | | 3.646 / 3.351 / 2.978 | | |
| | | Commercial | 3.581 / 3.407 / 3.018 | | 3.634 / 3.455 / 3.060 | | |
| Indoor Unit | | | | | | | |
| Performance | Air flow (H/M/L/LL) | l/s | 625/544/466/416 | | 694/600/494/416 | | |
| | ESP | Pa | 25-150 | | | | |
| | Sound power level (H/M/L) | dB(A) | 65 | | 66 | | |
| | Sound pressure level (H/M/L) | dB(A) | 45/42/37 | | 46/43/38 | | |
| Installation | External dimensions (W/D/H) | mm | 1500 x 700 x 248 | | 1500 x 700 x 248 | | |
| | Weight net/shipping | kg | 52/62 | | | | |
| | Supply air connection | mm | 1392 x 165 | | | | |
| | Return air connection | mm | 1378 x 238 | | | | |
| Controller | Wired controller | Optional | YR-E17A | | | | |
| | Wired controller | Optional | YR-E16 | | | | |
| | Wireless controller | Optional | RE02 & YR-HBS01 | | | | |
| | Wi-Fi | Optional | HI-WB101DEI | | | | |
| Outdoor Unit | | | | | | | |
| Electrical | Power supply | Ph/V/Hz | 1/220-240/50 | | | | |
| | Rated current | Cooling | Amps | 17 | 18.5 | | |
| | | Heating | Amps | 17 | 19 | | |
| Maximum current | Amps | 30 | | 32 | | | |
| Performance | Air flow (H) | m ³ /h | 6500 | | 7000 | | |
| | | l/s | 885 | | 1110 | | |
| | Sound power level | dB(A) | 69 | | 70 | | |
| | Sound pressure level | dB(A) | 52 | | 53 | | |
| Installation | External dimensions (WxDxH) | mm | 950 x 370 x 1350 | | | | |
| | Weight net/shipping | kg | 105/118 | | 108/121 | | |
| | Compressor type | | Twin rotary | | | | |
| | Refrigerant type | | R32 | | | | |
| | Refrigerant liquid pipe | mm | 9.52 | | | | |
| | Refrigerant gas pipe | mm | 15.88 | | 19.05 | | |
| | Max pipe length | m | 75 | | | | |
| | Max drop between IU & OU | m | 30 | | | | |
| | Pre-charge of refrigerant | kg | 2.5 | | | | |
| | Pre-charged line length | m | 20 | | | | |
| Additional gas charge | g/m | 45 | | | | | |
| Working temperature | Cooling (min-max) | °C | -15 to 50 | | | | |
| | Heating (min-max) | °C | -20 to 24 | | | | |

Nominal condition: as per AS/NZS3823.2
Indoor temperature (cooling): 27°C DB / 19°C WB; indoor temperature (heating): 20°C DB
Outdoor temperature (cooling): 35°C DB / 24°C WB; outdoor temperature (heating): 7°C DB / 6°C WB



FEATURES AND BENEFITS

Fresh air inlet

A pre-set fresh air inlet can introduce the outside fresh air into the room to improve the indoor air quality.



High-lift drain pump

The built-in condensate pump can lift water up to 1000mm.



Individual louvre control

The four louvres can be controlled individually using the supplied controller for maximum comfort throughout the room.



Round flow air supply

Air supply in all directions to improve air distribution.



Traditional four-way airflow

New round way airflow design

Hidden LCD Display

Discreet LCD display design shows green for cooling and red for heating.



ROUND WAY CASSETTE

With a DC fan motor and unique round way air outlet, the Smart Power round way cassette indoor unit delivers 360° airflow to reach every part of the room.

Wi-Fi compatible with the optional accessory (HI-WB101DEI).



ROUND WAY CASSETTE SPECIFICATIONS



Outdoor unit
1UH071N1ERG
1UH105N1ERG



YR-HBS01



Indoor unit
ABH071H5ERG
ABH105K5ERG



Outdoor unit
1U125P1ERG
1U125P1ERK



YR-HBS01



Indoor unit
ABH071H5ERG
ABH105K5ERG



| Model | | Indoor unit | | ABH071H5ERG | ABH105K5ERG |
|-------------------------------|------------------------------|--------------|----------------------------|----------------|-----------------|
| | | Outdoor unit | | 1UH071N1ERG | 1UH105N1ERG |
| Rated performance data | Nominal capacity | Cooling | kW nom (min-max) | 7.1 (2.0-8.0) | 10.0 (2.5-11) |
| | | Heating | kW nom (min-max) | 7.8 (2.0-9.0) | 10.6 (2.5-11.3) |
| | Rated power input | Cooling | kW nom (min-max) | 2.08 (0.4-4.0) | 3.19 (0.5-4.0) |
| | | Heating | kW nom (min-max) | 2.10 (0.4-4.0) | 3.20 (0.5-4.0) |
| | EER | W/W | 3.41 | 3.13 | |
| | COP | W/W | 3.71 | 3.31 | |
| Star rating (cooling/heating) | | | | 2.5/3.0 | 1.5/2.0 |
| Indoor Unit | | | | | |
| Performance | Air flow (H/M/L) | l/s | 378/350/297/228 | | 467/425/367/331 |
| | Sound power level (H/M/L) | dB(A) | 62 | | 62 |
| | Sound pressure level (H/M/L) | dB(A) | 35/33/29/26 | | 45/42/38/34 |
| Installation | External dimensions (W/D/H) | mm | 850 x 850 x 246 | | 850 x 850 x 288 |
| | Weight net/shipping | kg | 31/36 | | 32/38 |
| Controller | Wireless controller | Optional | YR-HBS-01 | | |
| | Wired controller | Optional | YR-E17 / YR-E16A / YR-E16B | | |
| | Wi-Fi | Optional | HI-WB101DEI | | |
| Outdoor Unit | | | | | |
| Electrical | Power supply | Ph/V/Hz | 1/220-240/50 | | |
| | Rated current | Cooling | Amps | 9.1 | 13.6 |
| | | Heating | Amps | 9.1 | 13.6 |
| Maximum current | Amps | 17.5 | 20 | | |
| Performance | Air flow (H) | m³/h | 3200 | 4000 | |
| | | l/s | 885 | 1110 | |
| | Sound power level | dB(A) | 64 | 68 | |
| | Sound pressure level | dB(A) | 47 | 52 | |
| Installation | External dimensions (WxDxH) | mm | 950 x 370 x 965 | | |
| | Weight net/shipping | kg | 80/92 | | 82/94 |
| | Compressor type | | Rotary | | |
| | Refrigerant type | | R410A | | |
| | Refrigerant liquid pipe | mm | 9.52 (3/8) | | |
| | Refrigerant gas pipe | mm | 15.88 (5/8) | | |
| | Max pipe length | m | 50 | | |
| | Max drop between IU & OU | m | 30 | | |
| | Pre-charge of refrigerant | kg | 2.5 | | |
| | Pre-charged line length | m | 20 | | |
| | Additional gas charge | g/m | 45 | | |
| Working temperature | Cooling (min-max) | °C | -15 to +50 | | |
| | Heating (min-max) | °C | -20 to +24 | | |

| Model | | Indoor unit | | ABH125K5ERG | ABH125K5ERG |
|-------------------------------|------------------------------|--------------|----------------------------|-----------------|-----------------|
| | | Outdoor unit | | 1U125P1ERG | 1U125P1ERK |
| Rated performance data | Nominal capacity | Cooling | kW nom (min-max) | 12.0 (3.5-14.0) | 12.0 (3.5-14.0) |
| | | Heating | kW nom (min-max) | 13.0 (4.0-17) | 13.0 (4.0-17) |
| | Rated power input | Cooling | kW nom (min-max) | 3.83 (1.0-6.0) | 3.83 (1.0-6.0) |
| | | Heating | kW nom (min-max) | 4.05 (1.0-6.0) | 4.05 (1.0-6.0) |
| | EER | WxW | 3.13 | 3.13 | |
| | COP | WxW | 3.21 | 3.21 | |
| Star rating (cooling/heating) | | | | 1.5/1.5 | 1.5/2.0 |
| Indoor Unit | | | | | |
| Performance | Air flow (H/M/L) | l/s | 540/440/400/330 | | 540/440/400/330 |
| | Sound power level (H/M/L) | dB(A) | 64 | | 64 |
| | Sound pressure level (H/M/L) | dB(A) | 47/44/38/34 | | 47/44/38/34 |
| Installation | External dimensions (W/D/H) | mm | 850 x 850 x 288 | | |
| | Weight net/shipping | kg | 32/38 | | |
| | Wireless controller | Optional | YR-HBS-01 | | |
| | Wired controller | Optional | YR-E17 / YR-E16A / YR-E16B | | |
| Wi-Fi | Optional | HI-WB101DEI | | | |
| Outdoor Unit | | | | | |
| Electrical | Power supply | Ph/V/Hz | 1/220-240/50 | | |
| | Rated current | Cooling | Amps | 17.0 | 6.1 |
| | | Heating | Amps | 17.2 | 6.2 |
| Maximum current | Amps | 30.0 | 10.8 | | |
| Performance | Air flow (H) | m³/h | 6500 | | 6500 |
| | | l/s | 1805 | | 1805 |
| | Sound power level | dB(A) | 69 | | 69 |
| | Sound pressure level | dB(A) | 52 | | 52 |
| Installation | External dimensions (WxDxH) | mm | 950 x 370 x 1350 | | |
| | Weight net/shipping | kg | 105/118 | | 108/121 |
| | Compressor type | | Rotary | | |
| | Refrigerant type | | R410A | | |
| | Refrigerant liquid pipe | mm | 9.52 | | |
| | Refrigerant gas pipe | mm | 15.88 | | |
| | Max pipe length | m | 75 | | |
| | Max drop between IU & OU | m | 30 | | |
| | Pre-charge of refrigerant | kg | 3.7 | | |
| | Pre-charged line length | m | 30 | | |
| | Additional gas charge | g/m | 45 | | |
| Working temperature | Cooling (min-max) | °C | -15 to +50 | | |
| | Heating (min-max) | °C | -20 to +24 | | |

Nominal condition: as per AS/NZS3823.2
Indoor temperature (cooling): 27°C DB / 19°C WB; indoor temperature (heating): 20°C DB
Outdoor temperature (cooling): 35°C DB / 24°C WB; outdoor temperature (heating): 7°C DB / 6°C WB

Nominal condition: as per AS/NZS3823.2
Indoor temperature (cooling): 27°C DB / 19°C WB; indoor temperature (heating): 20°C DB
Outdoor temperature (cooling): 35°C DB / 24°C WB; outdoor temperature (heating): 7°C DB / 6°C WB

Controller, YR-E17A

- Touchscreen display with backlight
- Clock, 24-hour timer
- On/Off, Mode, Fan speed, Temperature setting, Swing
- Individual and group control (max. 16 indoor units)
- Static pressure setting
- Humidity sensor with humidity display
- Infrared receiver for wireless controller



Controller, YR-E16B

- Large colour LCD display with touch buttons and backlight
- Clock, weekly timer
- On/Off, Mode, Fan speed, Temperature setting, Swing
- Individual and group control (max. 16 indoor units)
- Static pressure setting



Remote Controller, YR-HRS01 and Infrared Receiver, RE-02

- Optional remote control for ducted systems
- Requires a wired receiver, YR-HRS01



Remote Controller, YR-HBS-01

- Supplied with Round Way Cassette
- Large display and buttons for easy use
- Temperature setting of 0.5 degree increments
- Individual cassette louvre control



Wi-Fi Accessory, HI-WB101DEI

- Wi-Fi control
- Free download of the app, compatible with Apple and Android
- Weekly timer
- Connect multiple units



Central Controller, HC-SA164DBT

- Individual and group control (max. 64 indoor units)
- 5" TFT colour touchscreen
- Weekly schedule control
- Compatible with MRV, Smart Power, Super Match and HRV



Central Controller, YCZ-A004

- Individual and group control (max. 256 indoor units)
- 7" colour touchscreen
- Schedule control
- Compatible with Smart Power, MRV and hi wall split systems with the required accessories



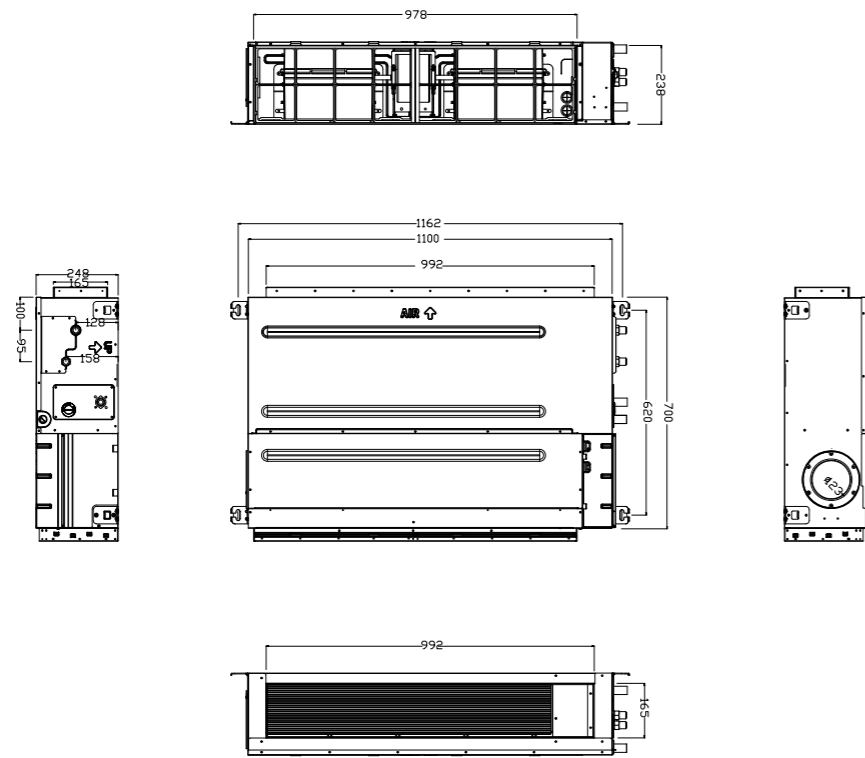
SmartZone Controller, HW-ZA101DBT

- Flexibility to switch on and off up to eight zones
- Customisation of zone name settings
- Backlit display
- Weekly timer

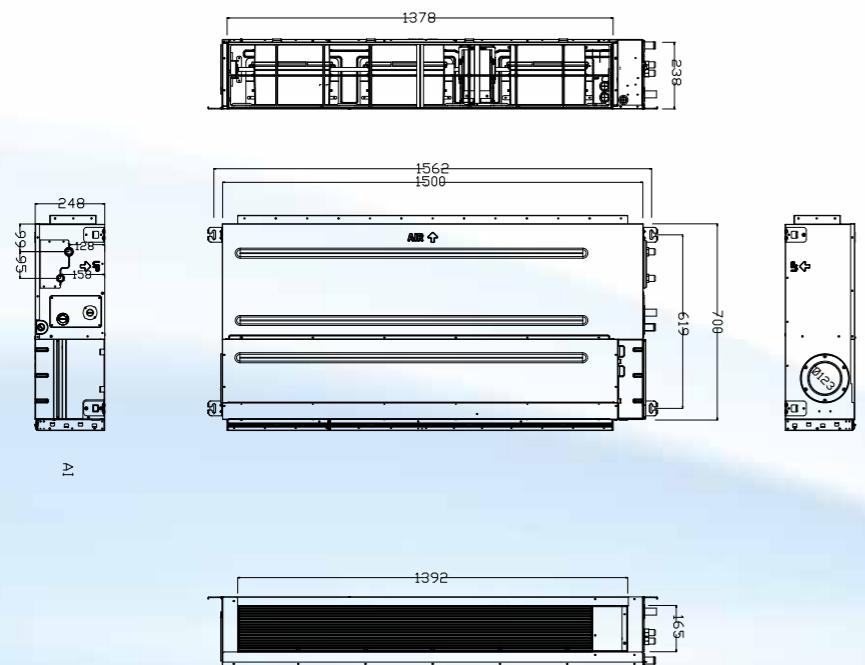


LOW PROFILE DUCTED

AD71S2SM7FA



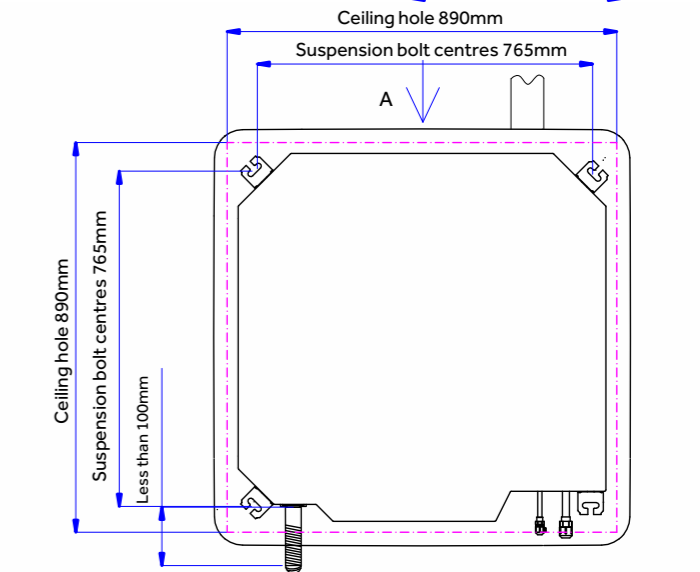
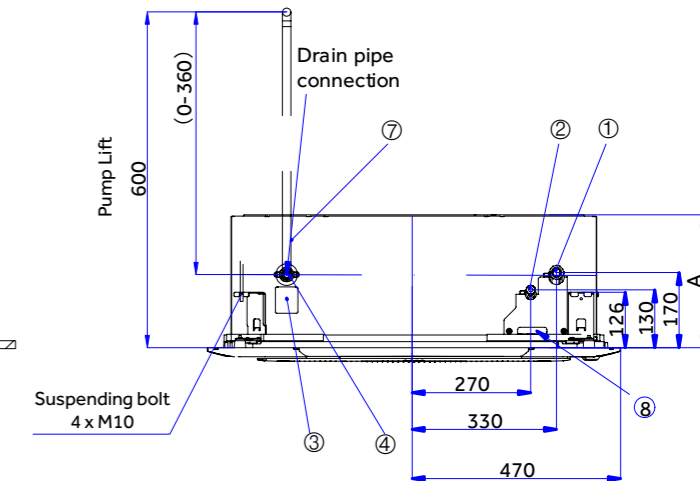
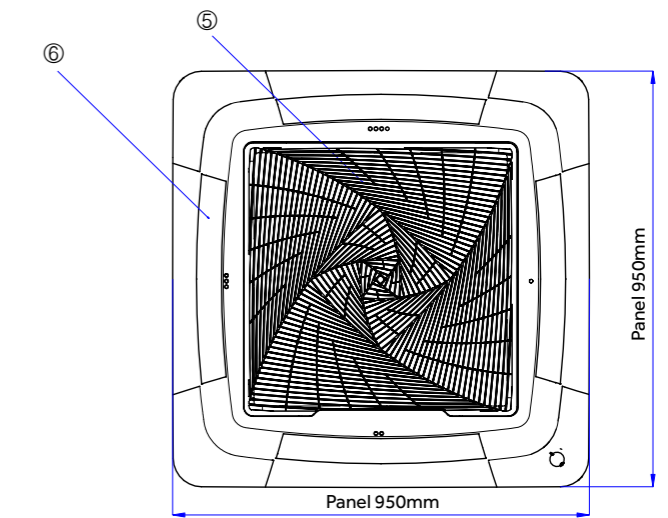
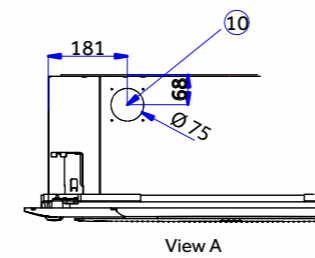
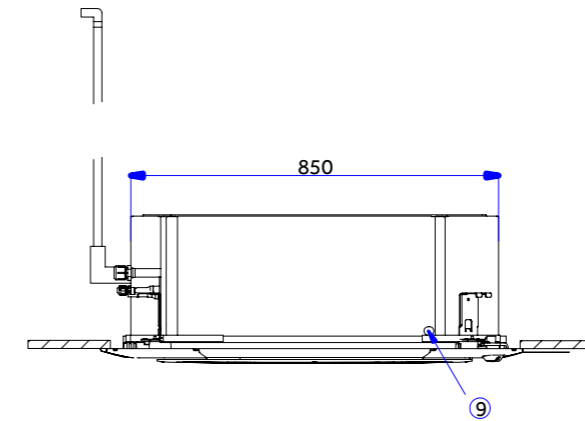
AD100S2SM7FA, AD125S2SM7FA, AD140S2SM7FA



ROUND WAY CASSETTE

ABH071H5ERG, ABH105K5ERG, ABH125K5ERG

| Code | Name |
|------|-----------------------------------|
| 1 | Gas pipe |
| 2 | Liquid pipe |
| 3 | Drain observation plate |
| 4 | Drain pipe |
| 5 | Air return grille |
| 6 | Air outlet |
| 7 | Drain connection pipe (accessory) |
| 8 | Power supply inlet |
| 9 | PQ line inlet |
| 10 | Fresh air inlet |



| Model | ABH071H5ERG | ABH105H5ERG | ABH125K5ERG |
|--------|-------------|-------------|-------------|
| A (mm) | 248 | 288 | |

Haier Brand Story

Who is Haier? World's largest home appliance manufacturer



Haier is the number one brand of major appliances in the world in volume sales*



Founded in 1984, 2021 marked our 37th year



Parent company of GE Appliances



Distributed by Fisher & Paykel, a wholly owned Haier subsidiary

*Source Euromonitor International Limited: Consumer Appliances 2018 ed. % unit share, 2017 data. Major Appliances category is the sum of dishwashers, home laundry appliances, large cooking appliances, microwaves and refrigeration appliances.



The evolution of Haier Air Conditioning



1985

- Qingdao Qingkong Air Conditioner Factory formed
- China's **first Split System AC**

2010

- Introduced **intelligent AC**

1993

- Qingdao Qingkong AC Factory **merged** with Haier Group
- China's **first Inverter AC**

2011-2012

- Improved air quality features including models with formaldehyde elimination and PM2.5 elimination

1994

- Haier gains **ISO9001 Certificate**
- Haier acquires **first export** business to Italy

2013-2014

- Launched **Wi-Fi AC** in China, Italy & South Asia
- Maintaining 15% market share in America for WAC and top 5 ranking in Italy

1998

- China's **first DC Inverter AC**

2015-2016

- Built the world's most advanced intelligent factory
- Launched full range of evaporator self-cleaning air conditioners in the industry
- Haier Vietnam air conditioner factory started manufacturing

2000-2003

- Energy Star Certification from **EPA**
- Commenced exporting to **Japan**
- DC Inverter with R410A technology

2017-2018

- Launched easy installation products – Flexis Series
- Haier India air conditioner factory started manufacturing

*Haier is the number one brand of connected air conditioning (including smart air conditioning) in the world, with a market share of over 31% in terms of volume sales in 2020. Source: Euromonitor International Limited. Date issued: March 2021.



Customer Care

The fastest growing localised AC service team in the country

Visit the website for technical data

haier.com.au/air-conditioning

haier.co.nz/air-conditioning/

24/7 customer support and service booking

1300 729 948

0800 242 437

Haier

Important notice of Disclosure: Copyright © Fisher & Paykel Appliances 2021. All rights reserved. The product dimensions and specifications in this brochure apply to the specific products and models described at the date of issue. Under our policy of continuous product improvement, these dimensions and specifications may change at any time. You should therefore check with your dealer or Haier's Customer Care Centre to ensure this flyer correctly describes the products currently available.

Fisher & Paykel Australia Pty Ltd, Level 1, 1 Eden Park Drive, Macquarie Park, NSW 2113.

Phone Customer Care: 1300 729 948 Email: customer.care@haier.com.au

Fisher & Paykel Appliances, 78 Springs Rd, East Tamaki, Auckland 2013.

Phone Customer Care: 0800 242 437 Email: customer.care@haier.co.nz

Version 2023/01